

## Sun Roof

### Removing cable

1. Open the sun roof and release the clips securing the roof upholstery at the front end. Then move the upholstery back to leave an opening.
2. Crank the sun roof forwards and slacken the screws at its four attachments 9 and 11. Bend the leaf springs 10 to one side and remove the reinforcing plates 13 at the rear attachments. Lift off the sun roof.
3. Remove the wind deflector 2.
4. Remove the intermediate pieces 8, cover strip 3 and holders above the drive. Release the front guide rails 6 and pull out the cables 5.

5. Crank the sun roof forwards until it is completely closed and check that it is level with the roof. To adjust vertically, use the front adjustment 7, and the lifts at the rear adjustment 12. Also check that both the lifts stand straight up when the roof is closed.
6. The crank and housing 4. Turn the crank to the stop position on the removed gear housing.
7. Install the housing and crank. The crank should now point straight forwards in the vehicle when the sun roof is completely closed.
8. Put back the upholstery and test the function of the sun roof.

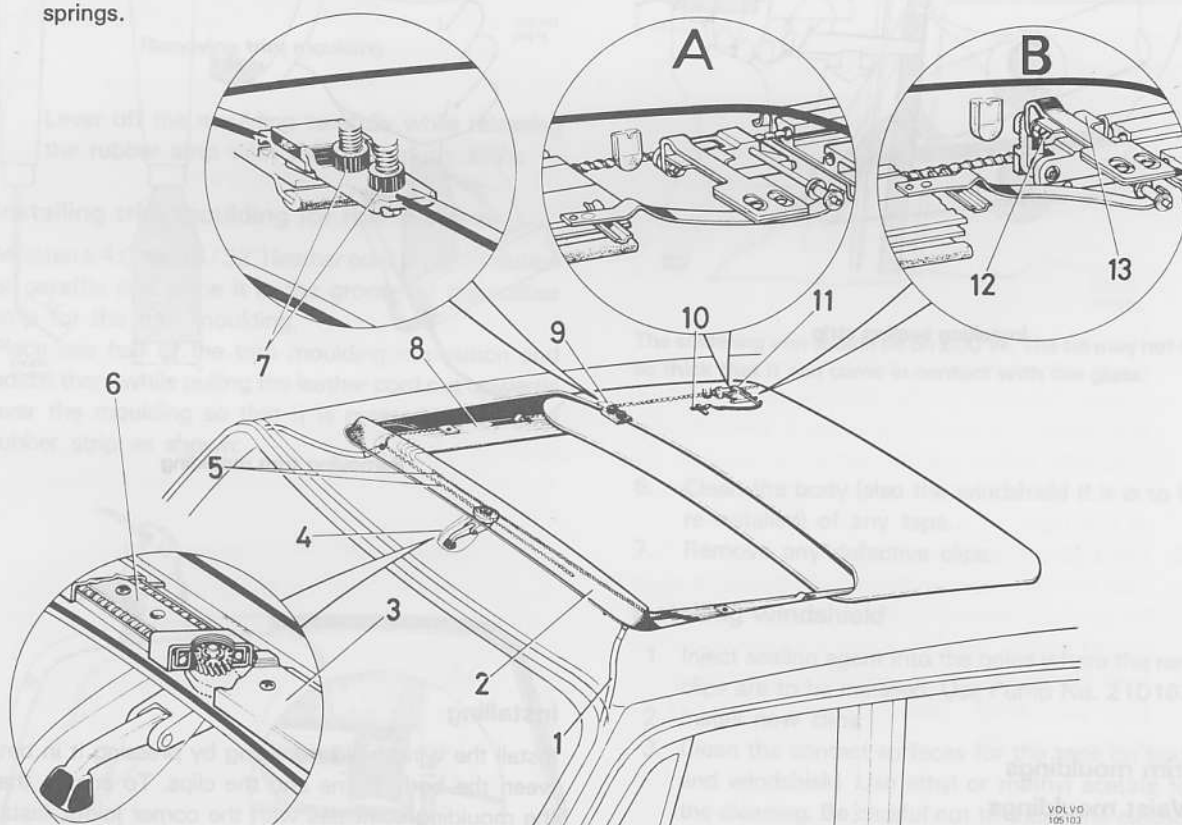
### Installing cables

1. Install the cables so that the attachments for the sun roof come opposite each other, and at the rear end of the roof opening. Screw on securely the front guide rails.
2. Install the intermediate pieces, holders and covering plate.
3. Install the wind deflector.
4. Screw on the roof securely and put back the leaf springs.

### Replacing sealing strip

The sun roof must be removed in order to replace the insulating strip and sealing strip there. See points 1 and 2 under "Removing cable".

When replacing the insulating strip round the roof opening of the sun roof, all that is required is to crank the roof back to its rearmost position.



Sun roof

A. Rear attachment when roof is open

B. Rear attachment when roof is closed

- |                             |                     |                       |                       |
|-----------------------------|---------------------|-----------------------|-----------------------|
| 1. Drain hose               | 5. Cables           | 8. Intermediate piece | 11. Rear attachment   |
| 2. Wind deflector           | 6. Front guide rail | 9. Front attachment   | 12. Rear adjustment   |
| 3. Cover strip              | 7. Front adjustment | 10. Leaf spring       | 13. Reinforcing plate |
| 4. Crank housing with crank |                     |                       |                       |