

Frame contained PDF file, click [here](#) to view

- [Contents/Abbreviations](#)
- [How to use the wiring diagram](#)
- Electrical distribution
  - [Overview](#)
- Fuses
  - [Cargo compartment 11E/1-7](#)
  - [Cargo compartment 11F/1-10](#)
  - [Relay/Shunts](#)
- Ground connection
  - [31/3 - 31/93](#)
- Group 35
  - [Instrument and control lighting](#)
- Group 36
  - [12V outlet](#)
- Group 39
  - [Road Traffic Information Module \(RTI\) with Voice Guide Amplifier Module \(VGA\)](#)
- Group 85
  - [Heated rear seats](#)
- Group 87
  - [Cooler, rear seats](#)
- Group 88
  - [Power sun shade](#)
- Cable harness routing in vehicle
  - [Rear Seat Entertainment \(RSE\)](#)
  - [Rear Seat](#)
- Component illustrations
  - [2/43 - 9/24](#)
  - [9/37 - 16/83](#)
  - [16/122 - 54/36](#)
- List of components
  - [1/1 - 54/no](#)

# **WIRING DIAGRAM**

**Section 3 (39)**  
**S80 75th Anniversary Edition**  
**2002**

TP 3968202

This manual covers functions specific to the S80 75th Anniversary Edition 2002.  
Wiring Diagram S60/S80 2002 Service Manual can be used for the electrical system in general.

Contents .....	1
Abbreviations .....	1
How to use the wiring diagram .....	2

## Electrical distribution

Overview .....	4
----------------	---

## Fuses

Cargo compartment 11E/1-7 .....	6
Cargo compartment 11F/1-10 .....	7
Relays/Shunts .....	7

## Ground connection

31/3 - 31/93 .....	8
--------------------	---

## Group 35

Instrument and control lighting .....	9
---------------------------------------	---

## Group 36

12V outlet .....	10
------------------	----

## Group 39

Road Traffic Information module (RTI) with Voice Guide Amplifier module (VGA) .....	11
---	----

## Group 85

Heated rear seats .....	13
-------------------------	----

## Group 87

Cooler, rear seat .....	14
-------------------------	----

## Group 88

Power sun shade .....	15
-----------------------	----

## Cable harness routing in vehicle

Rear Seat Entertainment (RSE) .....	16
Rear seat .....	17

## Component illustrations

2/43 - 9/24 .....	18
9/37 - 16/83 .....	19
16/122 - 54/36 .....	20

## List of components

1/1 - 54 /no .....	21
--------------------	----

## Abbreviations

### Groups

Group 35	= Lighting
Group 36	= Additional electrical equipment
Group 39	= Other
Group 85	= Interior equipment
Group 87	= Climate controls
Group 88	= Internal equipment

### Ignition switch symbols

X	= Accessories (audio position)
S	= Powered upon insertion of key
15	= The switch remains connected during start
15l	= Contact is broken while starting
30	= Constant power from the battery
50	= Start

### Other

AMP	= Amplifier
LH	= Left-hand side
W/O	= Without

### Colors

BL	= Blue
BN	= Brown
GN	= Green
GR	= Gray
OR	= Orange
P	= Pink
R	= Red
SB	= Black
VO	= Violet
W	= White
Y	= Yellow

**Order number TP 3968202**

This manual covers functions specific to the S80 75th Anniversary Edition 2002.  
Wiring Diagram S60/S80 2002 Service Manual can be used for the electrical system in general.

Contents .....	1
Abbreviations .....	1
How to use the wiring diagram .....	2

## Electrical distribution

Overview .....	4
----------------	---

## Fuses

Cargo compartment 11E/1-7 .....	6
Cargo compartment 11F/1-10 .....	7
Relays/Shunts .....	7

## Ground connection

31/3 - 31/93 .....	8
--------------------	---

## Group 35

Instrument and control lighting .....	9
---------------------------------------	---

## Group 36

12V outlet .....	10
------------------	----

## Group 39

Road Traffic Information module (RTI) with Voice Guide Amplifier module (VGA) .....	11
---	----

## Group 85

Heated rear seats .....	13
-------------------------	----

## Group 87

Cooler, rear seat .....	14
-------------------------	----

## Group 88

Power sun shade .....	15
-----------------------	----

## Cable harness routing in vehicle

Rear Seat Entertainment (RSE) .....	16
Rear seat .....	17

## Component illustrations

2/43 - 9/24 .....	18
9/37 - 16/83 .....	19
16/122 - 54/36 .....	20

## List of components

1/1 - 54 /no.....	21
-------------------	----

## Abbreviations

### Groups

Group 35	= Lighting
Group 36	= Additional electrical equipment
Group 39	= Other
Group 85	= Interior equipment
Group 87	= Climate controls
Group 88	= Internal equipment

### Ignition switch symbols

X	= Accessories (audio position)
S	= Powered upon insertion of key
15	= The switch remains connected during start
15l	= Contact is broken while starting
30	= Constant power from the battery
50	= Start

### Other

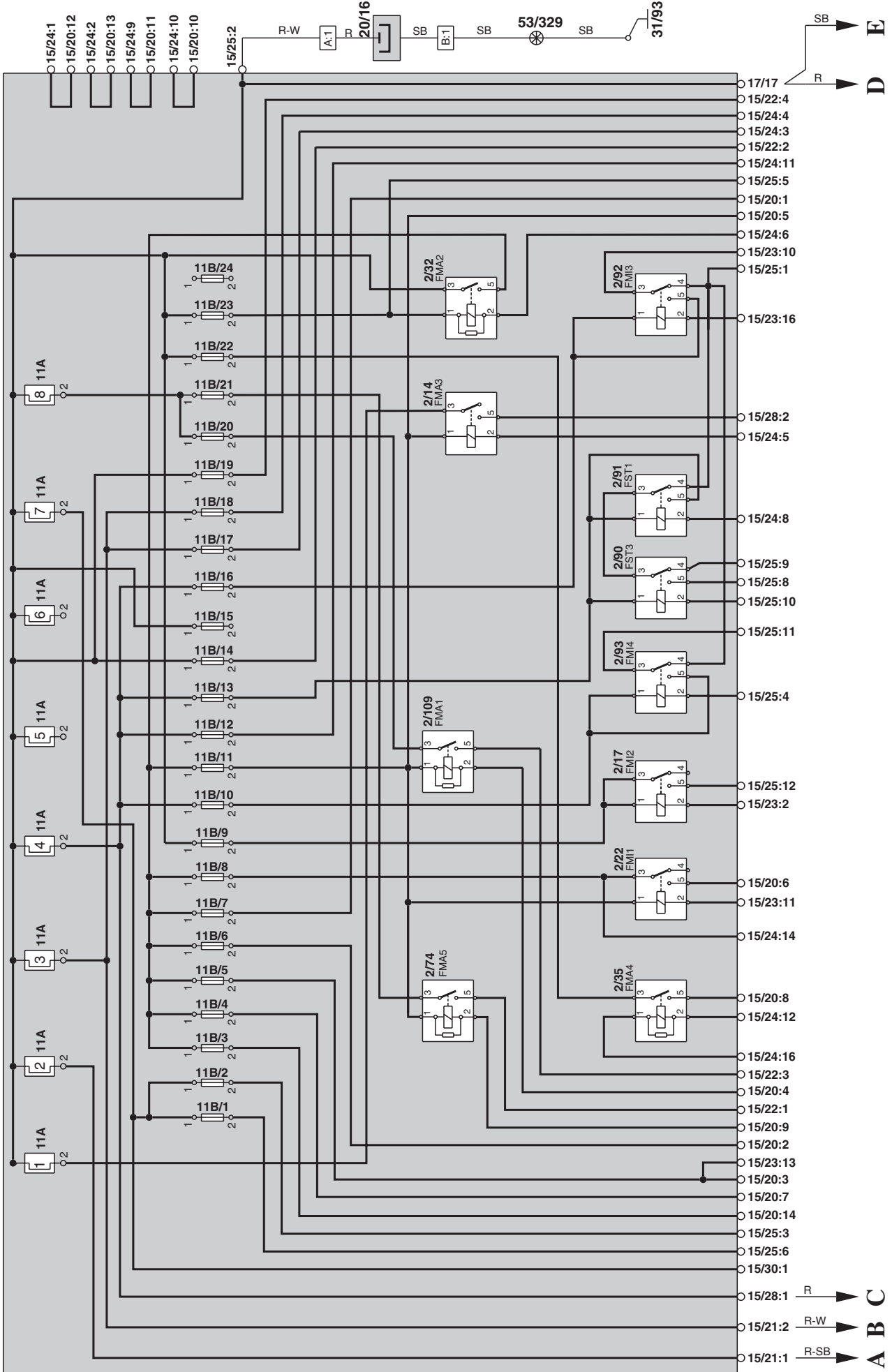
AMP	= Amplifier
LH	= Left-hand side
W/O	= Without

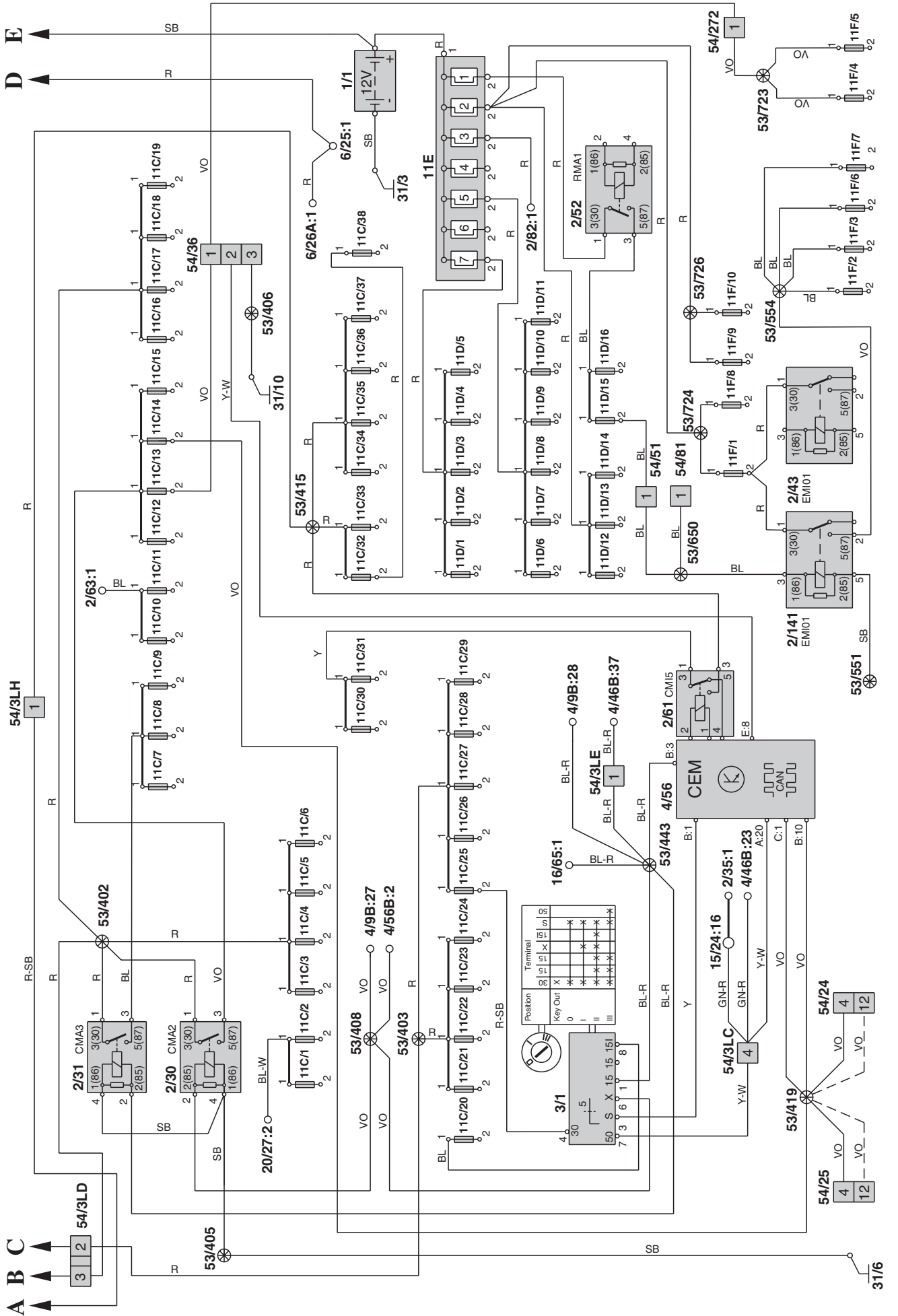
### Colors

BL	= Blue
BN	= Brown
GN	= Green
GR	= Gray
OR	= Orange
P	= Pink
R	= Red
SB	= Black
VO	= Violet
W	= White
Y	= Yellow

**Order number TP 3968202**

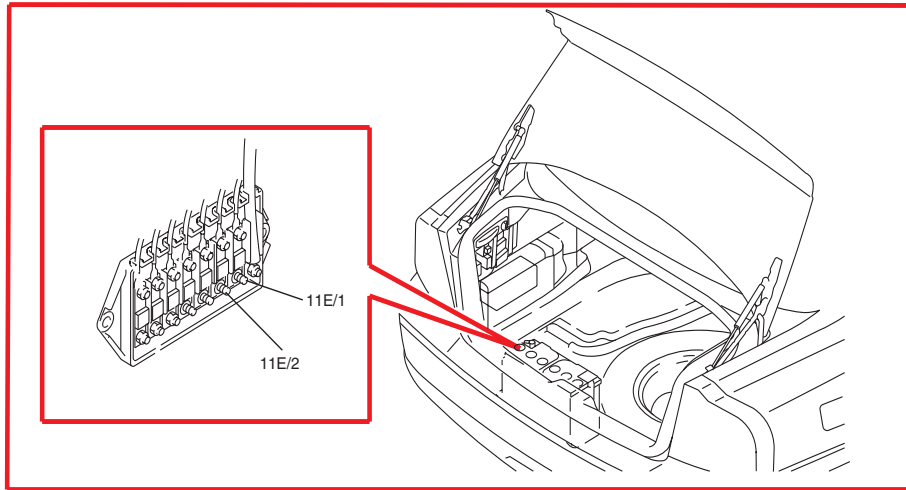
# Electrical distribution Overview





## Fuses

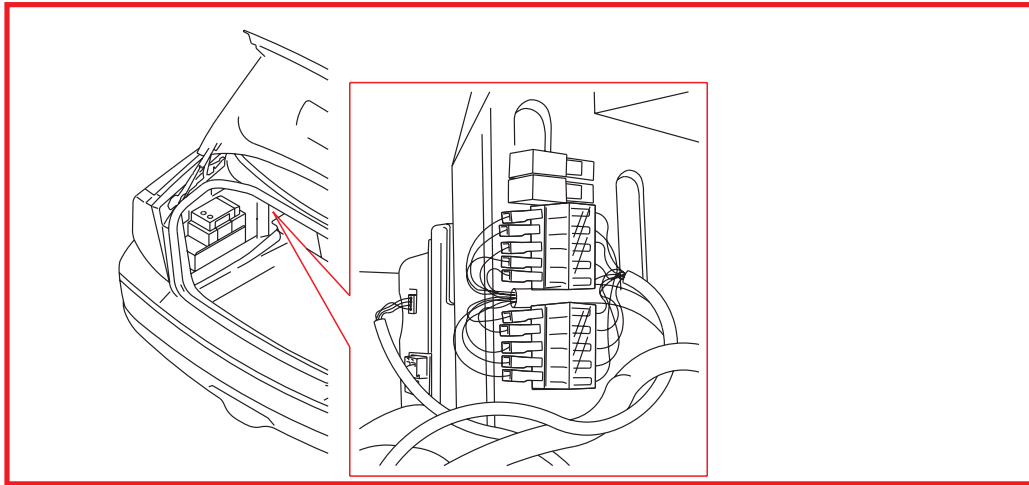
### Cargo compartment 11E/1-7



### 11E Fuses by the battery

No.	Fuse function	A
1	Fuse protection for 11D/15-18 via 2/52	40
2	Fuse protection for 11D/12-14 Fuse protection for 11F/1 Fuse protection for 11F/8 Fuse protection for 11F/9-10	40
3	Heated rear window 9/2 via 2/82	40
5	Fuse protection for 11D/6-11	40
7	Fuse protection for 11D/1-5	40

## Cargo compartment 11F/1-10 Relays/Shunts



### 11F Fuses in rear seat cargo compartment

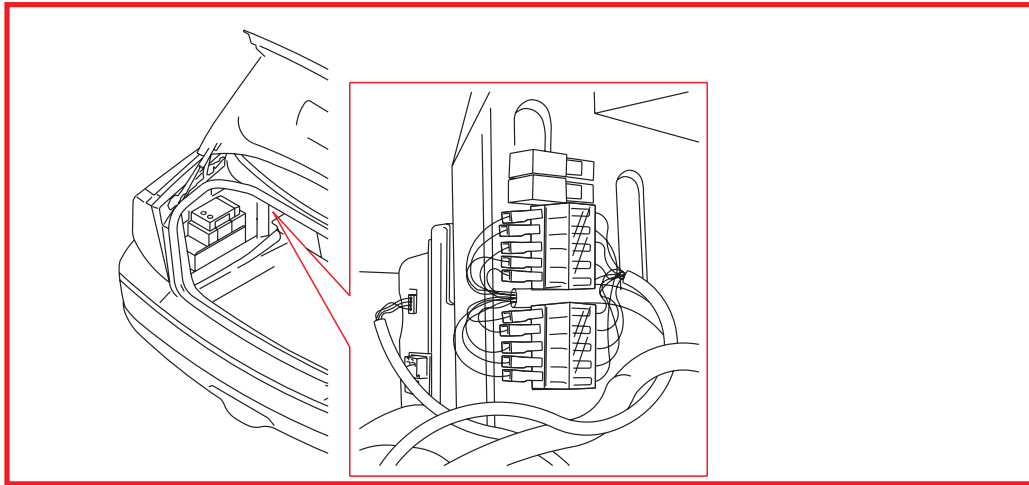
No.	Fuse function	A
1	Relay 15l feed 2/141 Right-hand heated rear seat 9/14 via 2/43 Left-hand heated rear seat 9/15 via 2/43	25
2	Switch, heated rear seat 3/64	5
3	Sun shade control module 4/55	10
4	12V outlet, rear seat 17/21	10
5	Switch, heated rear seat 3/64 Sun shade switch 3/104	5
6	Cooler, rear seat 9/24	10
7	Horn 16/83	5
8	Rear Seat Entertainment module (RSE) 16/124	5
9	M2D control module 8/80 Voice Guide Amplifier module (VGA) 16/83 Rear Audio Separation module (RAS) 16/122	15

### Relays/Shunts in rear seat cargo compartment

Pos	Relay function
1	Heated rear seat relay 2/43
2	Relay 15l feed 2/141



## Cargo compartment 11F/1-10 Relays/Shunts



### 11F Fuses in rear seat cargo compartment

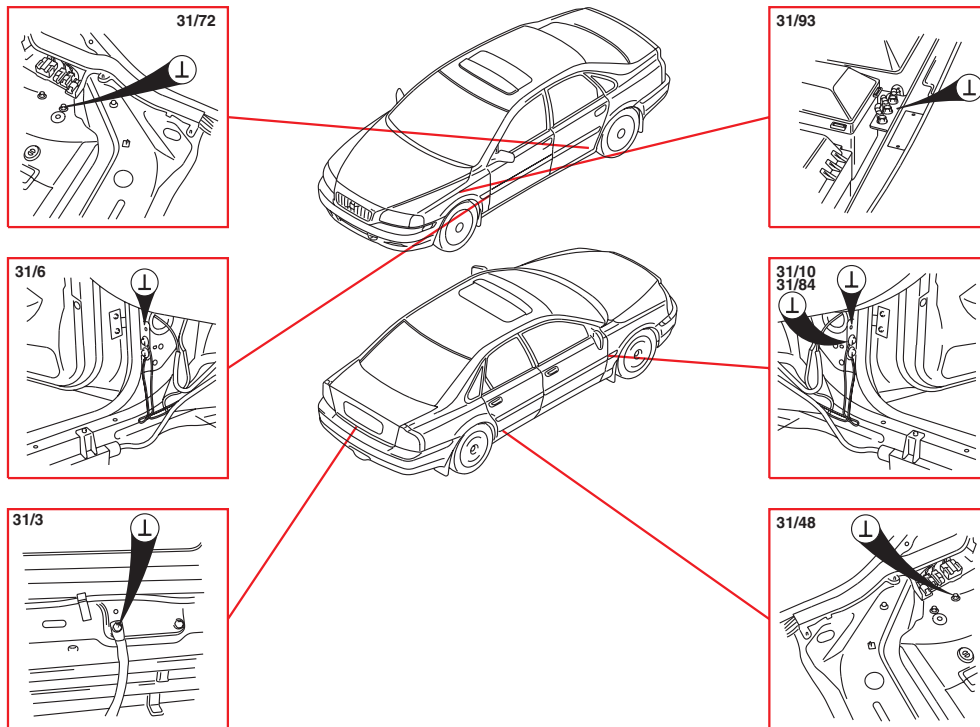
No.	Fuse function	A
1	Relay 15l feed 2/141 Right-hand heated rear seat 9/14 via 2/43 Left-hand heated rear seat 9/15 via 2/43	25
2	Switch, heated rear seat 3/64	5
3	Sun shade control module 4/55	10
4	12V outlet, rear seat 17/21	10
5	Switch, heated rear seat 3/64 Sun shade switch 3/104	5
6	Cooler, rear seat 9/24	10
7	Horn 16/83	5
8	Rear Seat Entertainment module (RSE) 16/124	5
9	M2D control module 8/80 Voice Guide Amplifier module (VGA) 16/83 Rear Audio Separation module (RAS) 16/122	15

### Relays/Shunts in rear seat cargo compartment

Pos	Relay function
1	Heated rear seat relay 2/43
2	Relay 15l feed 2/141

# Ground connection

## 31/3 - 31/93



31/3
Battery 1/1

31/6
Junction point 53/405 -X feed overload relay 2/30:4 -15-feed overload relay 2/31:4

31/10
Junction point 53/406 -front 12V outlet 9/1:2 -12V outlet 75th Anniversary Edition 9/37 -12V outlet rear seat 17/21:1

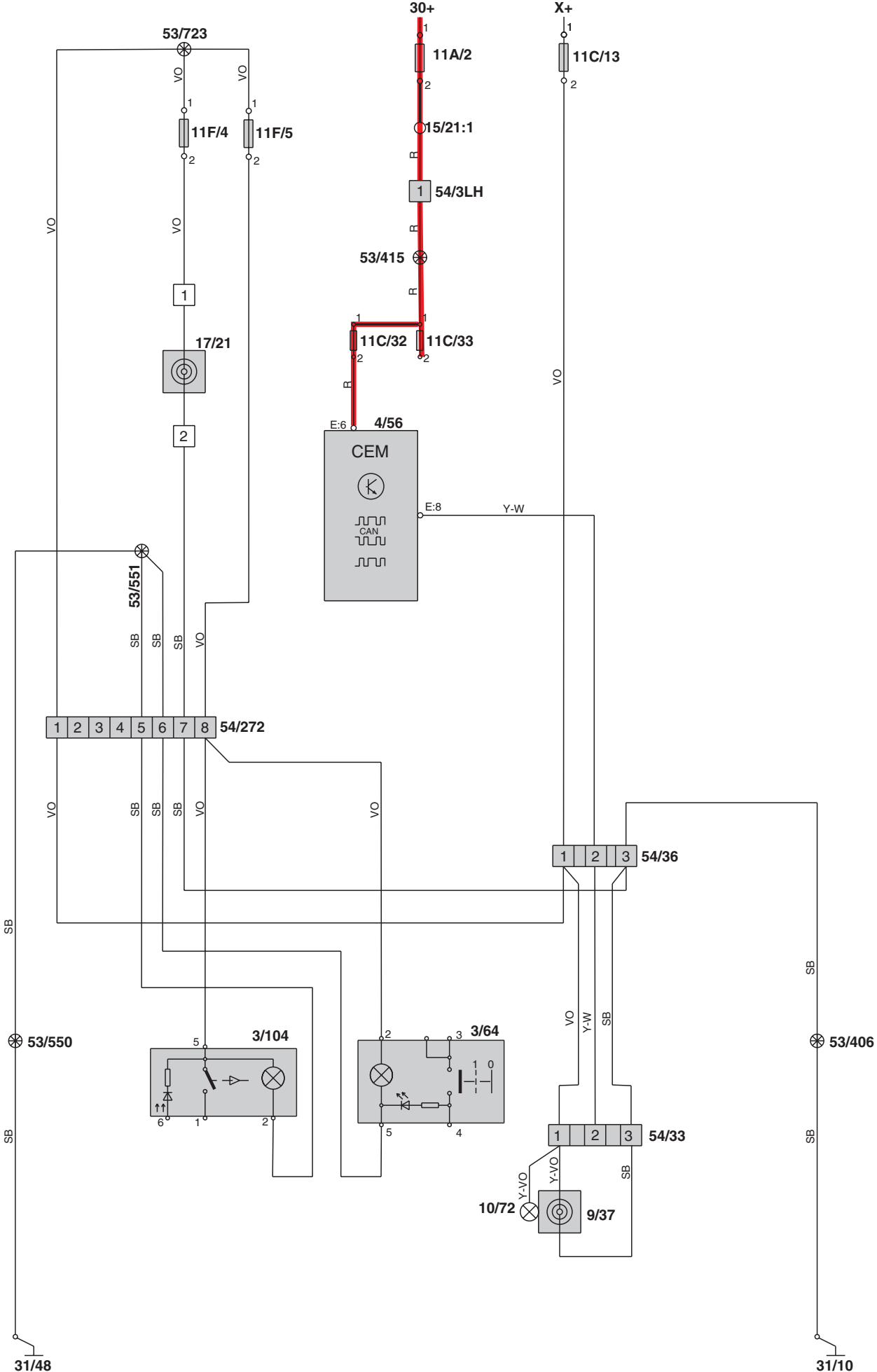
31/48
Junction point 53/550 -cooler, rear seat 9/24:3 -sun shade control module 4/55A:1 -right-hand heated rear seat 9/14:1 -left-hand heated rear seat 9/15:1 -junction point 53/551
Junction point 53/551 -relay 15l feed 2/141:5 -sun shade switch 3/104:2 -switch, heated rear seat 3/64:5 -heated rear seat relay 2/43:5

31/72
Junction point 53/602 -control module, RTI system 16/45D:5
Voice Guide Amplifier module (VGA) 16/83B:11
Junction point 53/555 -Rear Audio Separation module (RAS) 16/122:13 -TV receiver 16/36A:15 -M2D control module 8/80A:13 -Rear Seat Entertainment module (RSE) 16/124:2 -Rear Seat Entertainment module (RSE) 16/124:12

31/84
Junction point 53/448 -junction point 53/423 RTI -RTI display 16/46A:4 -RTI display 16/46A:5

31/93
Junction point 53/329 -capacitor 20/16B:1

# Group 35 Instrument and control lighting



**Group 36**  
**12V outlet**

