



Select Vehicle | New TSBs | Technician's Reference

Component Search: OK

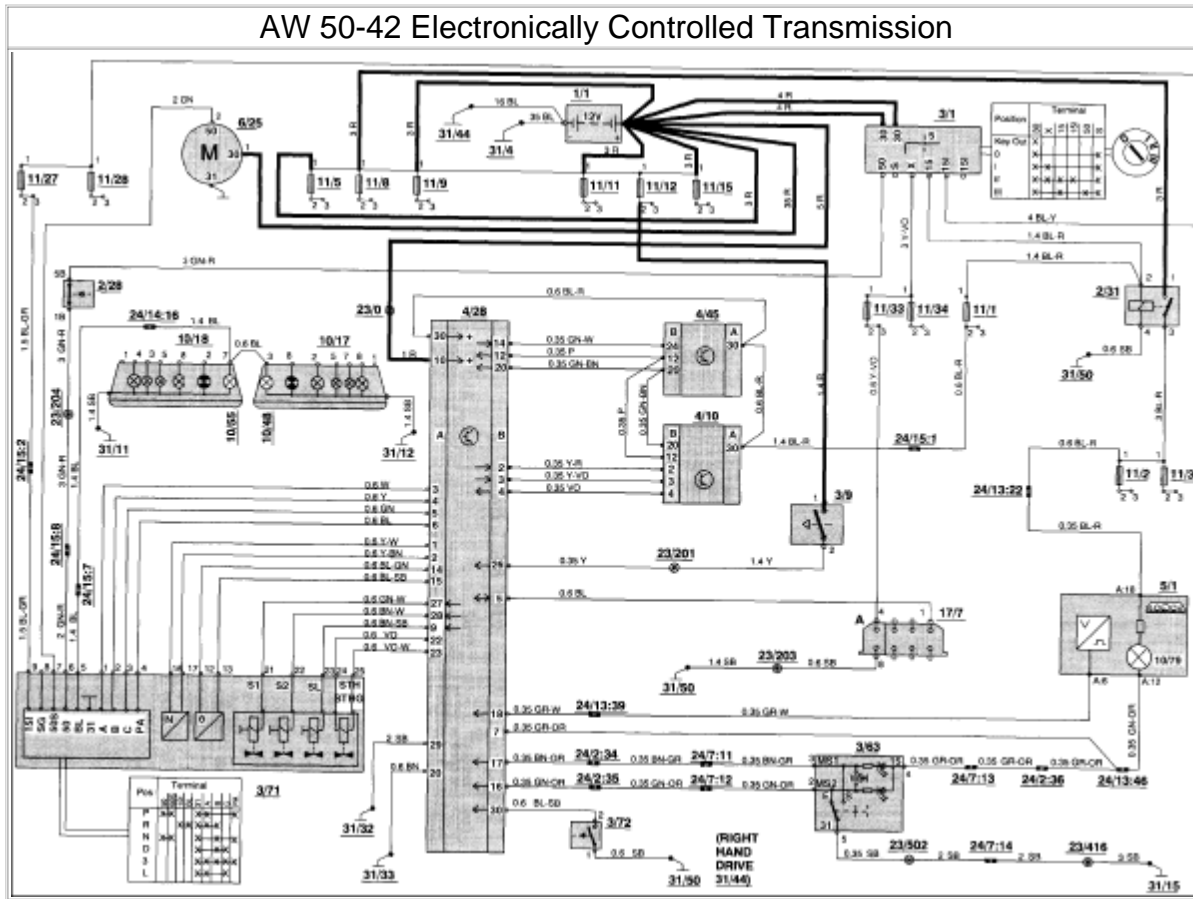
Conversion Calculator

1994 Volvo 850 L5-2.4L VIN 55 B5254S

Vehicle Level → Transmission and Drivetrain → Automatic Transmission/Transaxle → Diagrams → Electrical Diagrams → AW 50-42 Automatic Transmission ←

AW 50-42 Automatic Transmission

[Notes](#)

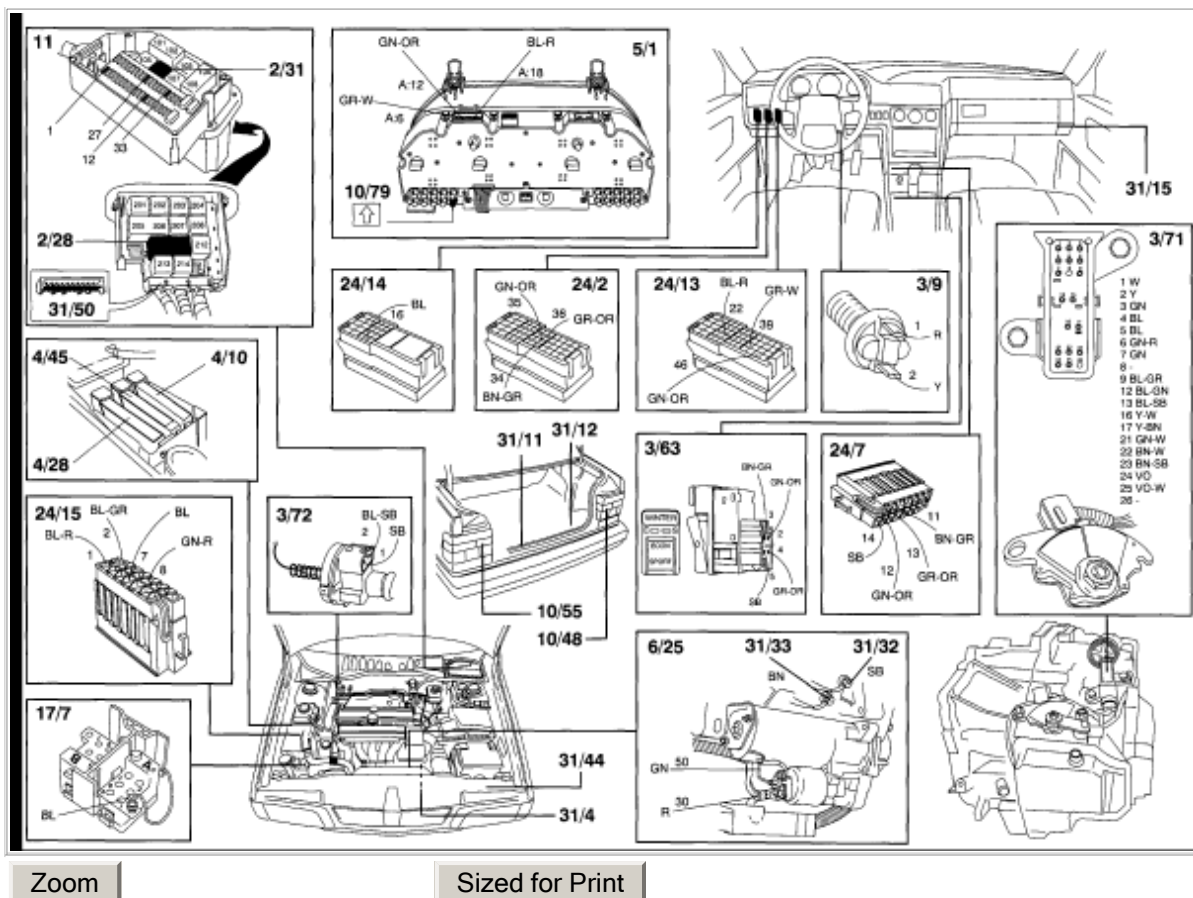


Zoom

Sized for Print

Wiring Diagram

AW 50-42 Electronically Controlled Transmission



Component Location

Component I.D. List

No.	Component Name
1/1	Battery
2/1	Main headlight relay with bulb malfunction indicator
2/3	Regulator, DIM-DIP
2/4	Windshield wiper intermittent relay
2/5	Seatbelt reminder/key warning relay
2/7	Central lock/delayed courtesy lighting relay
2/11	Engine cooling fan relay
2/15	Relay, exhaust temperature sensor
2/16	Tailgate wiper intermittent relay

2/22	A/C relay
2/23	Fuel pump relay
2/24	Fan relay, max.
2/28	Alarm relay
2/30	Overload relay X+
2/31	Overload relay 15+
2/32	Main relay fuel system
2/42	Combination relay ABS
2/43	Heated rear seat relay
2/44	Relay, electrically heated rear window/door mirrors
2/45	Relay, P-shift lock
2/47	Relay, deadlock setting
2/51	Speed warning
2/53	Air pump relay
2/60	Overload relay X+
3/1	Ignition switch
3/2	Light switch
3/3	Switch, turn signal/high and low beams
3/4	Controls, cruise control
3/6	Switch, hazard lights with flasher relay
3/8	Switch, el. heated rear window/door mirrors
3/9	Brake light switch
3/10	Backup (reversing) light switch
3/12	Switch, windshield wipers and washer
3/13	Switch, tailgate washer and wiper
3/25	Switch, power sunroof
3/37	Horn connectors
3/38	Contact, brake pedal
3/39	Contact, clutch pedal
3/47	Handbrake switch

- 3/54 REC and A/C switch
- 3/55 NC panel lights
- 3/56 Heater fan switch
- 3/57 Climate control
- 3/58 Switch, rear fog light
- 3/59 Beam width control
- 3/61 Controls, trip computer
- 3/62 Alarm switch, hood
- 3/63 Program selector, automatic transmission
- 3/64 Switch for heated rear seat, left side
- 3/69 Switch for heated rear seat, right side
- 3/71 Transmission range selector indicator
- 3/72 Kick-down switch on throttle controls
- 3/74 Lock, left front
- 3/75 Lock, right front
- 3/76 Lock, left rear
- 3/77 Lock, right rear
- 3/78 Lock, boot
- 3/85 Power window switch, left rear door
- 3/86 Power window switch, right rear door
- 3/87 Switch, power door mirror, left side
- 3/88 Switch, power door mirror, right side
- 3/89 [Control module](#), left seat
- 3/91 Switch, heated left seat
- 3/92 Switch, heater right seat
- 3/93 Seat belt lock, left seat
- 3/94 Seat belt lock, right seat
- 3/95 Switch, TRACS
- 3/97 Switch, auto-down relay, power window
- 4/3 [Control module](#), cruise control

4/4	Rheostat
4/5	Safety circuit SRS
4/9	SRS sensor module
4/10	Control module EZK (DI) ignition system
4/15	DI power stage and ignition coil
4/16	ABS control module
4/18	Control module, oil level sensor
4/19	Remote control module, central lock/anti-theft alarm
4/28	Control module, AW 50-42 automatic transmission
4/29	Control module, left seat
4/30	Control module , ECC
4/31	Power module, heater fan
4/33	Control module , power sunroof
4/34	Voltage regulator, 8 volts
4/35	Voltage regulator, 5 volts
4/36	Combined instrument microprocessor
4/37	Control module , right seat
4/41	Control module , Fenix 5.2 MFI
4/44	DI power stage and ignition coil
4/45	Control module , LH 3.2 MFI
4/46	Control module , Motronic 4.3 MFI
4/47	Ignition coil, Fenix 5.2 MFI
4/48	Ignition power stage, Fenix 5.2 MFI
5/1	Combined instrument
5/2	Clock module
5/3	Ambient temperature/clock module
5/4	Trip computer
6/1	Windshield wiper motor
6/2	Washer motor front
6/3	Right headlight wiper motor

6/4	Left headlight wiper motor
6/15	Power sunroof motor
6/24	Cruise control vacuum pump
6/25	Starter motor
6/26	Generator
6/28	Heater fan
6/29	Engine cooling fan
6/30	Tailgate washer motor
6/31	Fuel pump
6/32	Tailgate wiper motor
6/33	Fuel level sensor
6/34	Power antenna
6/35	Parking heater
6/37	Central lock motor, tank cap
6/38	Beam width control left actuator
6/39	Beam width control right actuator
6/45	Servo motor, temperature shutter, driver's side
6/46	Servo motor, temperature shutter, passenger's side
6/47	Servo motor, floor and defroster shutter
6/48	Servo motor, recirculation shutter
6/49	Servo motor, ventilation shutter
6/50	Motor, left seat backrest
6/51	Motor, up/down front edge of left seat
6/52	Motor, up/down rear edge of left seat
6/53	Motor, fore/aft left seat
6/54	Air pump
6/58	Power window motor, left front door
6/59	Power window motor, left rear door
6/60	Power window motor, right front door
6/61	Power window motor, right rear door

6/62	Power door mirror, left side
6/63	Power door mirror, right side
7/1	Bulb malfunction indicator, rear
7/4	Brake fluid level sensor
7/5	Washer fluid level sensor
7/6	Oil pressure sensor
7/11	Ambient temperature sensor, ECC
7/15	Heated oxygen sensor (HO2S) (Lambdasond), front
7/16	Engine temperature sensor
7/17	Mass air flow (MAF) sensor
7/21	Camshaft position sensor (CMP)
7/23	Knock sensor (KS), rear
7/24	Knock sensor (KS), front
7/25	Pulse sensor
7/31	ABS sensor, left front
7/32	ABS sensor, right front
7/33	Speedometer sensor
7/35	Oil level sensor
7/37	Temperature sensor, EGR
7/43	Thermostat, left seat
7/44	Thermostat, right seat
7/47	PTC resistor, pre-heater
7/50	A/C pressure sensor
7/53	Pressostat, A/C
7/54	Throttle position (TP) sensor
7/55	Thermoelement, 3-way catalytic converter (TWO)
7/56	Sensor ABS left rear
7/57	Sensor ABS right rear
7/58	Pedal sensor ABS
7/59	Temperature sensor, left duct

7/60	Temperature sensor, right duct
7/64	Cabin temperature sensor, driver's side
7/65	Cabin temperature sensor, passenger's side
7/66	Rear seat thermostat, left side
7/67	Rear seat thermostat, right side
7/68	Solar sensor ECC/indication LED - anti-theft alarm
7/69	Ambient temperature sensor, trip computer
7/73	Coolant level sensor
7/77	Intake air temperature sensor (IAT sensor)
7/79	Accelerometer
7/81	Pressure sensor, intake manifold
7/82	Heated oxygen sensor (HO2S) (Lambdasond), rear
7/83	High-pressure sensor, A/C
8/3	Solenoid coupling A/C
8/5	IAC idling valve
8/6-10	Injectors
8/15	Hydraulic unit ABS
8/17	EGR converter
8/30	Steering wheel module SRS
8/31	SRS passenger module
8/33	Igniter, left belt tensioner
8/34	Igniter, right belt tensioner
8/36	Solenoid, P-shift lock
8/43	Solenoid, aux. air intake
8/45	Solenoid, variable intake manifold
9/1	Cigarette lighter
9/2	Heated rear window
9/3	Backrest heater pad, left seat
9/4	Backrest heater pad, right seat
9/5	Seat element, left seat

9/6	Seat element, right seat
9/8	Seat element, left rear seat
9/9	Backrest element, left rear seat
9/10	Seat element, right rear seat
9/11	Backrest element, right rear seat
10/1	Left front light
10/2	Right front light
10/9	Left parking light and turn signal, front
10/10	Right parking light and turn signal, front
10/11	Left parking light, front
10/12	Right parking light, front
10/13	Left turn signal, front
10/14	Right turn signal, front
10/15	Left side indicator light
10/16	Right side indicator light
10/17	Right tail light
10/18	Left tail light
10/19	High-level brake light
10/20	Number plate light
10/22	Inside light, ceiling
10/24	Trunk lighting
10/26	Reading light, left rear
10/27	Reading light, right rear
10/29	Glove box lighting
10/30	Warning lamp, left front door
10/31	Warning lamp, right front door
10/32	Warning lamp, left rear door
10/33	Warning lamp, right rear door
10/37	Cigarette lighter illumination
10/40	Gear selector light

- 10/43 Right brake light
- 10/44 Right parking light, rear
- 10/45 Right parking/tail light
- 10/46 Right rear fog light
- 10/47 Lamp, right turn signal, rear
- 10/48 Right back-up light
- 10/50 Left brake light
- 10/51 Left parking light rear
- 10/52 Left parking/tail light
- 10/53 Left rear fog light
- 10/54 Lamp, left turn signal, rear
- 10/55 Left back-up light
- 10/64 Right high beam
- 10/66 Right low beam
- 10/68 Left high beam
- 10/70 Left low beam
- 10/72 Ashtray lighting, front
- 10/74 Indicator lamp, exhaust gas temperature
- 10/77 Indicator lamp, SRS
- 10/79 Indicator lamp, winter program and low [gear](#) (automatic transmission)
- 10/82 Indicator lamp, ABS
- 10/83 Indicator lamp, hand brake
- 10/84 Brake warning lamp
- 10/85 Warning light, high beam
- 10/86 Oil pressure warning lamp
- 10/87 Indicator lamp, charging
- 10/88 Indicator light, bulb malfunction indicator
- 10/89 Indicator lamp, rear tog lights
- 10/90 Washer level warning lamp
- 10/91 Service reminder indicator

- 10/92 Indicator lamp, trailer
- 10/94 Indicator lamp, right turn signal
- 10/95 Indicator lamp, left turn signal
- 10/96 Instrument lighting
- 10/97 Entry lighting, driver's side
- 10/98 Ashtray lighting, rear
- 10/102 Entry lighting, passenger side
- 10/105 Fuel level warning lamp
- 10/106 Check engine (malfunction indicator lamp) warning lamp
- 10/107 Indicator lamp, TRACS
- 10/108 Extra brake light, spoiler
- 10/110 Coolant level warning lamp
- 10/113 Alarm warning LED
- 10/114 Vanity mirror lighting, left side
- 10/115 Vanity mirror lighting, right side
- 10/117 Indicator lamp oil level
- 11/1-40 Fuses
- 15/2 30 rail in central electrical unit
- 15/4 15l rail in central electrical unit
- 15/8 X rail in central electrical unit
- 16/1 Radio
- 16/3 Loudspeaker right front door
- 16/4 Loudspeaker left front door
- 16/5 Loudspeaker right rear door
- 16/6 Loudspeaker left rear door
- 16/7 Loudspeaker, instrument panel, right side
- 16/8 Loudspeaker, instrument panel, left side
- 16/9 Antenna
- 16/10 Horn 1
- 16/11 Horn 2

16/16	Antenna booster
16/17	Loudspeaker, rear shelf/D-post, left side
16/18	Loudspeaker, rear shelf/D-post, right side
16/19	Alarm signal
17/1	Service socket for starter motor
17/7	OBD (Diagnostic) socket A
17/10	OBD (Diagnostic) socket B
17/13	OBDII (Diagnostic) socket
18/4	Contact reel, SRS
19/1	Temperature gauge
19/2	Tachometer
19/3	Speedometer
19/5	Fuel gauge
19/6	Exciter, tachometer
19/7	Exciter, speedometer, temperature gauge, fuel gauge
20/2	Distributor
20/3-7	Spark plugs
20/18	Resistor, heater fan
23/0	Branching point, 30+ supply
23/3	Branching point, injectors -
23/6	Branching point, fuel system main relay
23/7	Branching point, fusible link
23/8	Branching point, signal ground
23/9	Branching point, signal ground knock sensor (KS)
23/10	Branching point, +5V supply
23/11	Branching point, injectors +
23/13	Branching point, 30+ main relay fuel system
23/100	Branching point, ground 31/44 engine compartment
23/101	Branching point, ground 31/44 engine compartment
23/104	Branching point, horn

- 23/105 Branching point, X+ supply
- 23/107 Branching point, headlight wiper motors
- 23/201 Branching point, brake light
- 23/203 Branching point, ground 31/50, central el. unit
- 23/204 Branching point, 50+ supply
- 23/207 Branching point, left turn signal
- 23/208 Branching point, right turn signal
- 23/209 Branching point, high pressure sensor, A/C
- 23/213 Branching point, OBD (Diagnostic) socket
- 23/214 Branching point, OBD (Diagnostic) socket
- 23/300 Branching point, rheostat
- 23/301 Branching point, ground, instr./contr. lighting 31/50 centr. el. unit
- 23/302 Branching point, 30+ supply
- 23/303 Branching point, heater fan, 4th speed
- 23/304 Branching point, ground 31/15 A-post passenger's side via 23/416
- 23/305 Branching point, X+ supply, A/C
- 23/306 Branching point, signal ground servo motors, cabin temperature sensor, ECC
- 23/307 Branching point, supply +5V servo motors ECC 23/308 Branching point, signal ground, temperature sensor ducts, solar sensor ECC
- 23/309 Branching point 30+ supply ECC
- 23/400 Branching point, central lock unlocking M+
- 23/401 Branching point, central lock locking M
- 23/405 Branching point, ground 31/7 A-post driver's side
- 23/408 Branching point, central lock unlocking M+
- 23/409 Branching point, central lock locking M
- 23/410 Branching point, open-door warning
- 23/411 Branching point, 30+ supply
- 23/412 Branching point, X+ supply
- 23/414 Branching point, rheostat

- 23/416 Branching point, ground, 31/15 A-post passenger's side
- 23/417 Branching point, ground 31/11, trunk left side
- 23/502 Branching point, ground, instr. lighting/ power door mirrors / selector aut. transmission
- 23/503 Branching point, supply, seat heat/power door mirrors
- 23/601 Branching point, tailgate/trunk, ground 31/11, trunk left side via 23/417
- 24/1 Connector, 14-pole Instrument panel harness - Firewall harness
- 24/2 Connector, 53-pole Engine compartment harness - Firewall harness
- 24/3 LHD cars: Connector, pos. 26-53 in 53-pole
RHD cars: Connector, 53-pole
Firewall harness- Door sill harness, left
- 24/4 Connector, pos. 1-37 in 53-pole Firewall harness - Door sill harness, right
- 24/5 Connector, 24-pole Firewall harness - Left front door harness
- 24/6 Connector, 24-pole Firewall harness - Right front door harness
- 24/7 Connector, 14-pole Firewall harness - Tunnel harness
- 24/9 Connector, 4-pole Firewall harness - Ceiling harness
- 24/10 Connector, 2-pole Firewall harness - heater fan / A/C unit
- 24/11 Connector, 10-pole Firewall harness - A1C unit
- 24/12 Connector, 4-pole Firewall harness - heater fan / A/C unit
- 24/13 Connector, 53-pole Engine compartment harness - Instrument panel harness
- 24/14 Connector, pos. 1-25 in 53-pole Engine compartment harness - Door sill harness, let
- 24/15 Connector, 14-pole Engine compartment harness - Engine harness
- 24/16 Connector, 26-pole Engine compartment harness - Front harness
- 24/17 Connector, 11-pole Door sill harness, left - Left rear door harness
- 24/18 Connector, 11-pole Door sill harness, right - Right rear door harness
- 24/19 Connector, 4-pole Door sill harness, right - Rear wheel sensor harness
- 24/20 Connector, 4-pole Firewall harness - Power sunroof harness
- 24/21 Connector, 6-pole Door sill harness, left - left seat
- 24/22 Connector, 6-pole Door sill harness, right - right seat
- 24/25 Connector, 14-pole Door sill harness, left - trunk harness

- 24/26 Connector, 2-pole Firewall harness - belt tensioner igniter harness, left side
- 24/27 Connector, 2-pole Firewall harness - belt tensioner igniter harness, right side
- 24/29 Connector, 2-pole at firewall
- 24/30 Connector, 2-pole Engine compartment harness thermoelement harness, TWC
- 24/33 Connector, 2-pole Firewall harness - passenger module harness
- 24/34 Connector pos. 38-53 in 53-pole Engine compartment harness - Firewall harness
- 24/35 Connector, 8-pole, accessories
- 24/35A Connector 8-pole accessories
- 24/35B Connector 1-pole accessories
- 24/37 Connector, 6-pole Firewall harness - switch harness heated rear seat
- 24/42 Connector, 2-pole, accessories
- 31/4 Ground point, engine (ground connection battery - engine)
- 31/7 Ground point, A-post driver's side
- 31/11 Ground point, trunk, left side
- 31/12 Ground point, trunk, right side
- 31/15 Ground point, A-post passenger's side
- 31/32 Ground point on engine (power ground)
- 31/33 Ground point on engine (signal ground)
- 31/44 Ground point, engine compartment (ground connection battery - body)
- 31/47 Ground point, left cross member
- 31/48 Ground point, right cross member
- 31/50 Ground point, central electrical unit (power ground)
- 31/51 Ground point, central electrical unit (signal ground)
- 31/52 Ground point, DI power stage and ignition coil
- 31/55 Ground point, engine cooling fan
- 31/65 Ground point, steering column
- C/BA Connector, 2-pole, at fuel pump
- C/BB Connector, 2-pole, fuel gauge

C/BC	Connector, 4-pole, power antenna/booster
C/CE	Connector, 2-pole, heated left seat
C/CF	Connector, 2-pole, heated left seat
C/CG	Connector, 2-pole, heated right seat
C/CH	Connector, 2-pole, heated right seat
C/CJ	Connector, 6-pole, cruise control
C/CK	Connector 14-pole, power windows
C/CL	Connector, 6-pole, tailgate wash/wipe
C/CM	Connector, 2-pole, heated rear seat, left side
C/CN	Connector, 2-pole, heated rear seat, left side
C/CP	Connector, 2-pole, heated rear seat, right side
C/CQ	Connector, 2-pole, heated rear seat, right side
C/EA	Connector, 1-pole, engine cooling fan
C/EB	Connector, 4-pole, high pressure sensor, A/C
C/EC	Connector, 1-pole, solenoid switch A/C
C/ED	Connector, 15-pole, ABS
C/EG	Connector, 2-pole, engine coolant temperature (ECT)
C/EH	Connector, 3-pole, camshaft position sensor (CMP)
C/EJ	Connector, 2-pole, impulse sensor
C/EK	Connector, 2-pole, windshield wiper motor
C/EL	Connector, 3-pole, windshield wiper motor
C/EM	Connector, 2-pole at tunnel
C/EN	Connector, 2-pole, EGR temp. sensor
C/EP	Connector, 4-pole, heated oxygen sensor (HO2S) (Lambdasond), front
C/EQ	Connector, 4-pole, heated oxygen sensor (HO2S) (Lambdasond), rear
K/1	Relay, auto-down power window