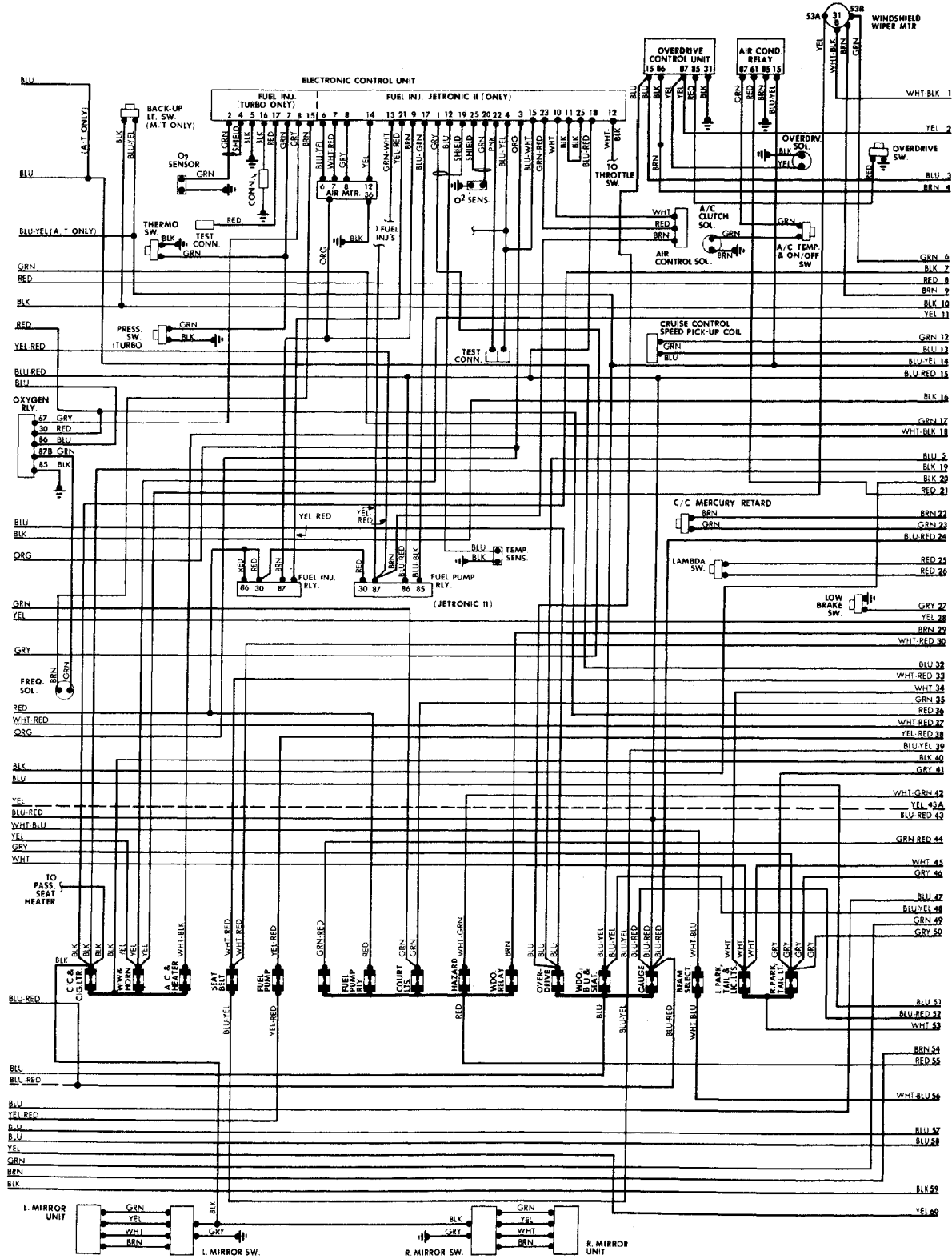


WIRING DIAGRAMS

Fig. 2: Fuse Block & Underdash

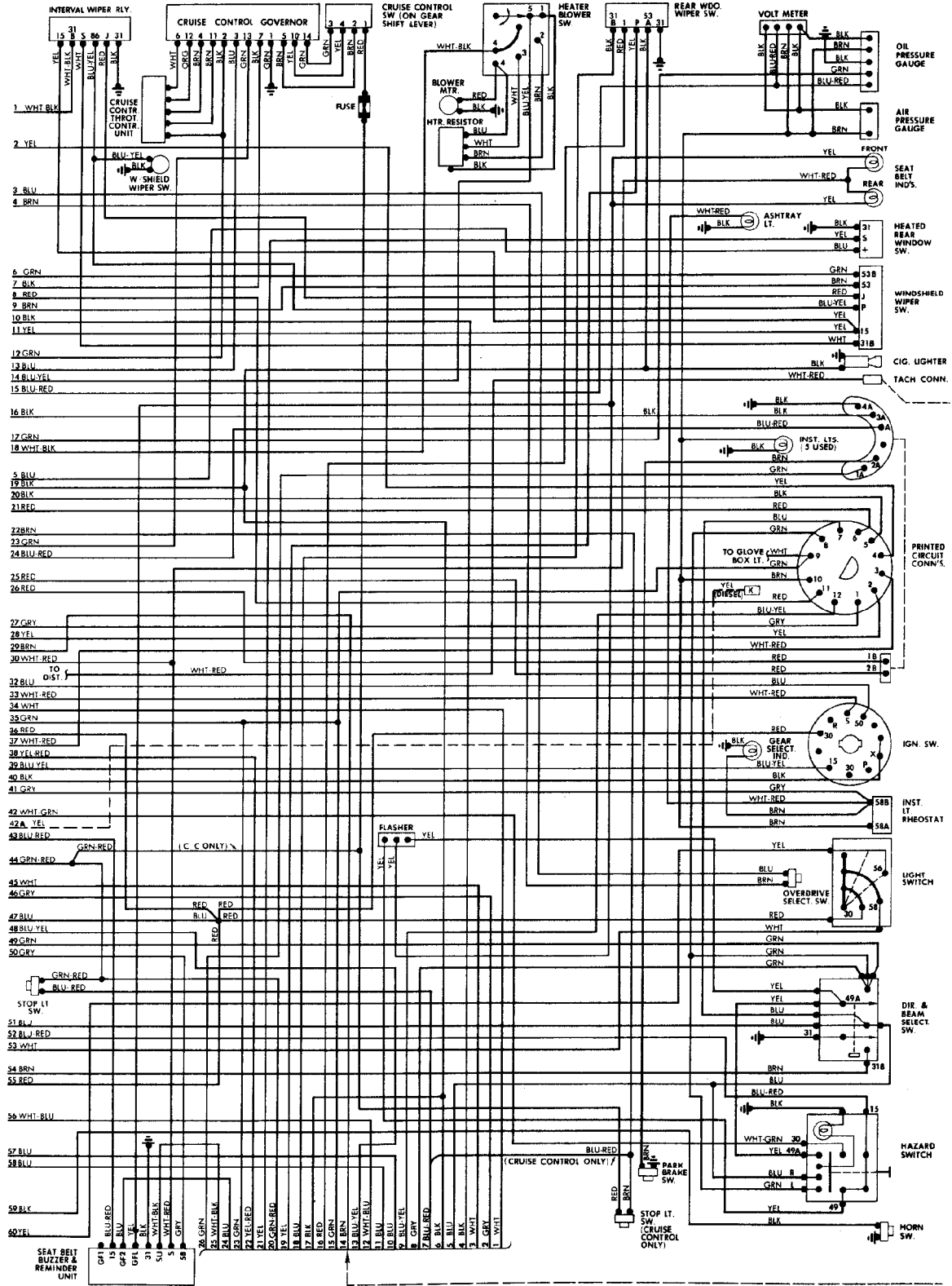
1983 Volvo 240DL/GL



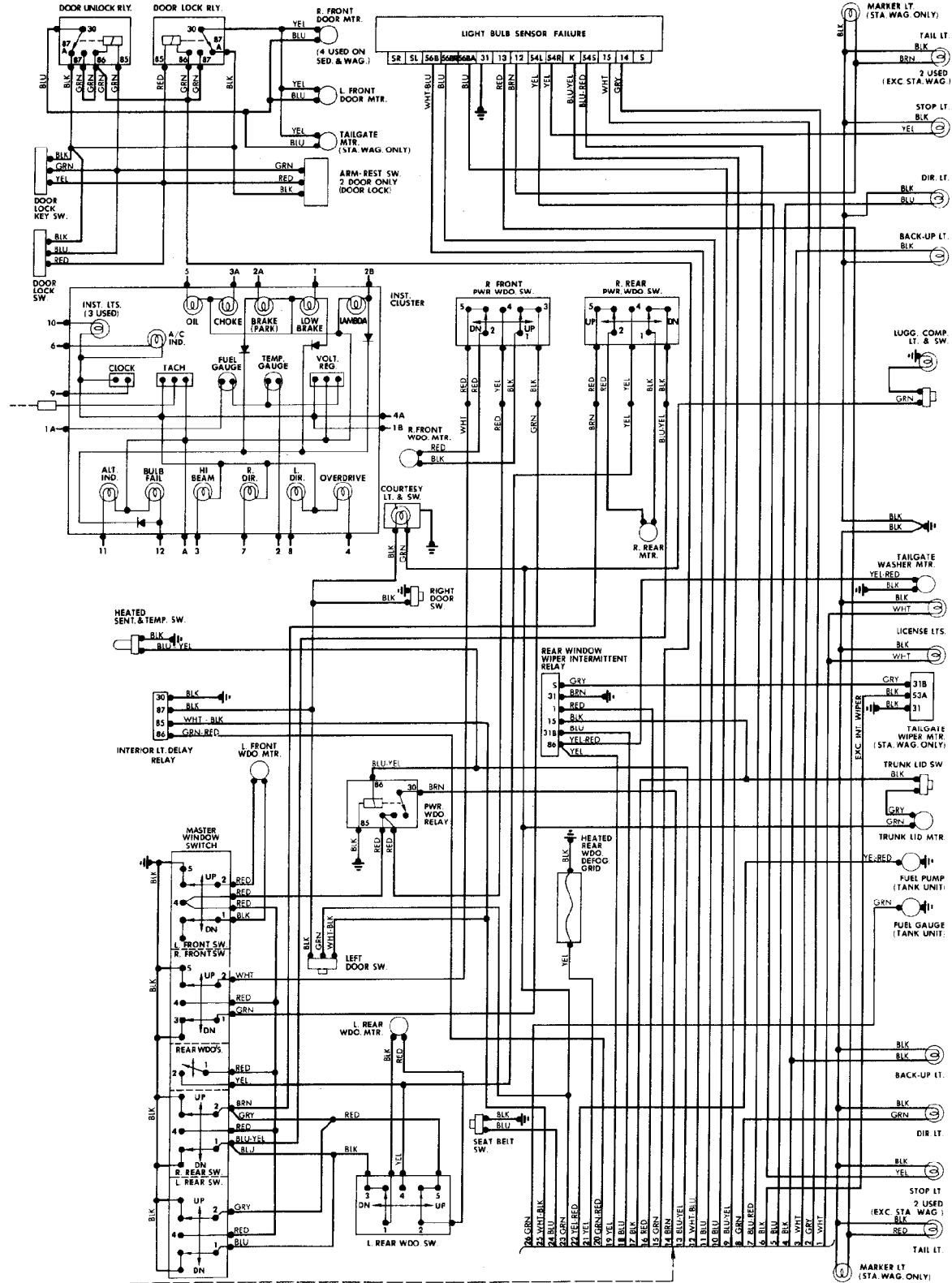
WIRING DIAGRAMS

Fig. 3: Underdash (Cont.) & Instrument Panel

1983 Volvo 240DL/GL



WIRING DIAGRAMS
Fig. 4: Rear Compartment & Accessories
 1983 Volvo 240DL/GL



WIRING DIAGRAMS
Fig. 2: Fuse Block & Underdash
 1983 Volvo 240DL/GL

